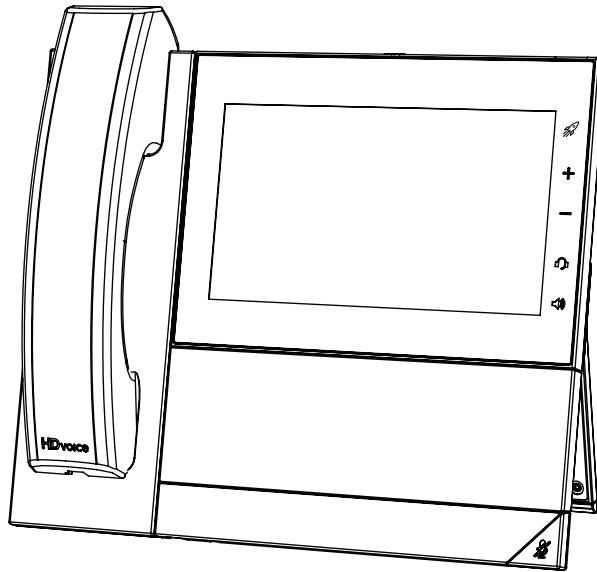
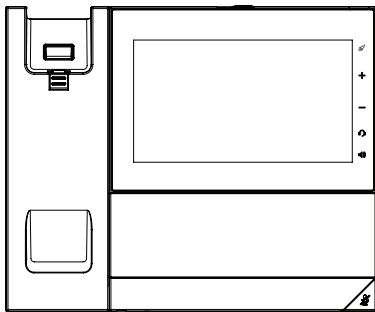


# POLYCOM® CCX 600 BUSINESS MEDIA PHONE Set Up Guide



## PACKAGE CONTENTS

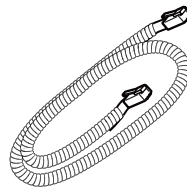
With Handset Cradle



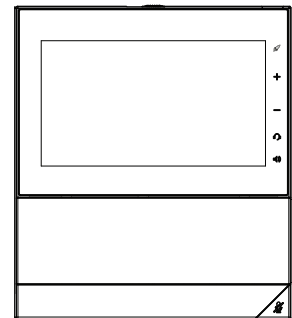
Handset



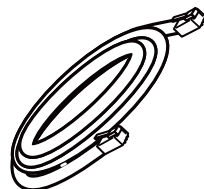
Handset Cord



Without Handset Cradle



Network Cable



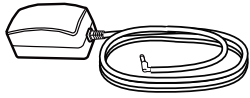
Setup Sheet



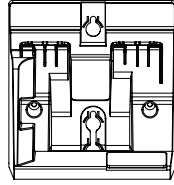
For more information, visit [epb.com/customer-support/business-support](http://epb.com/customer-support/business-support) or call 423-648-1500, option 2



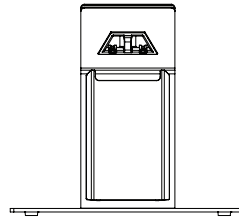
## OPTIONAL ACCESSORIES



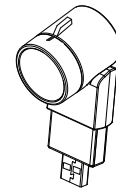
AC power adapter  
(varies by region)



Wallmount



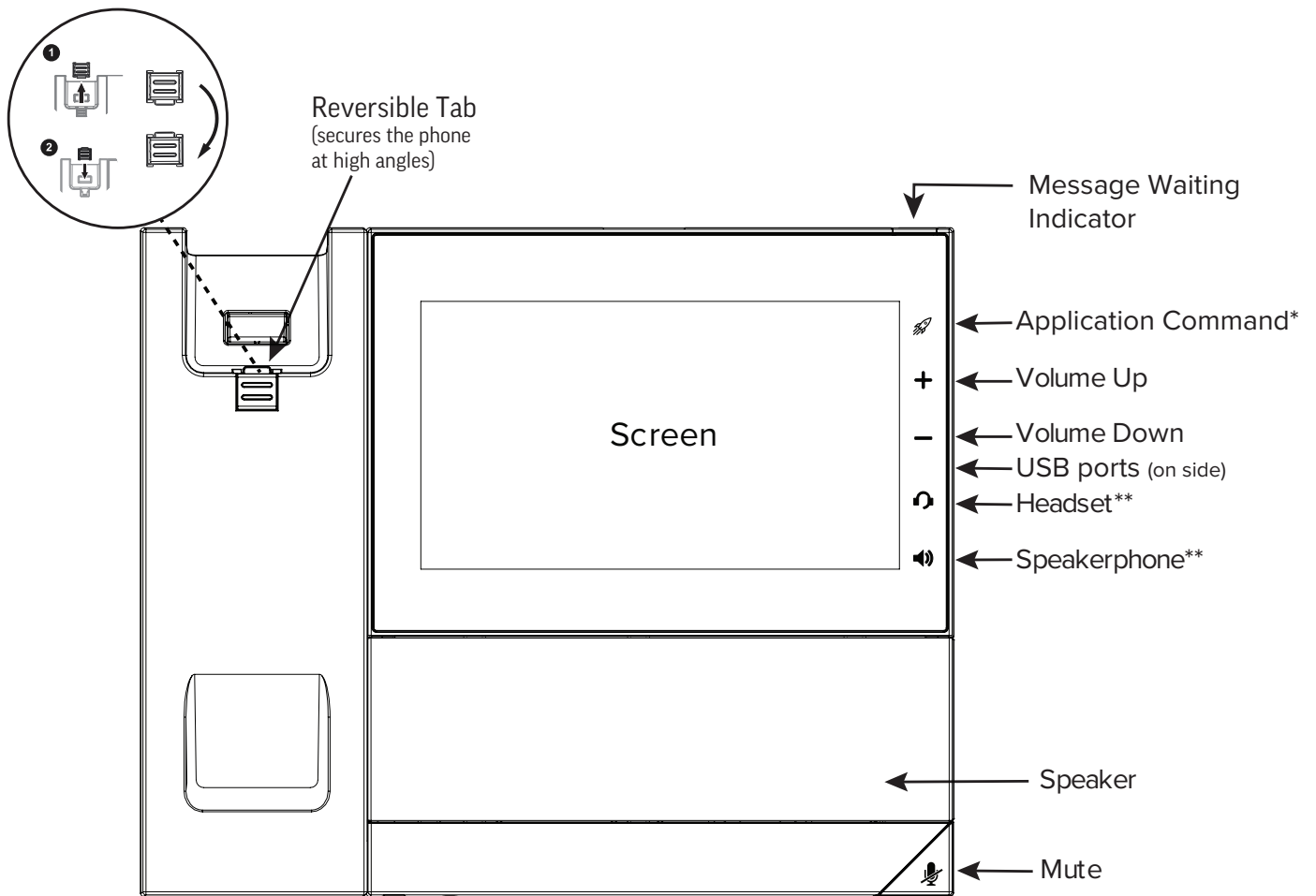
CCX Video Stand



Polycom EagleEye Mini  
USB Camera

For more information on optional accessories, contact your reseller.

## FEATURES

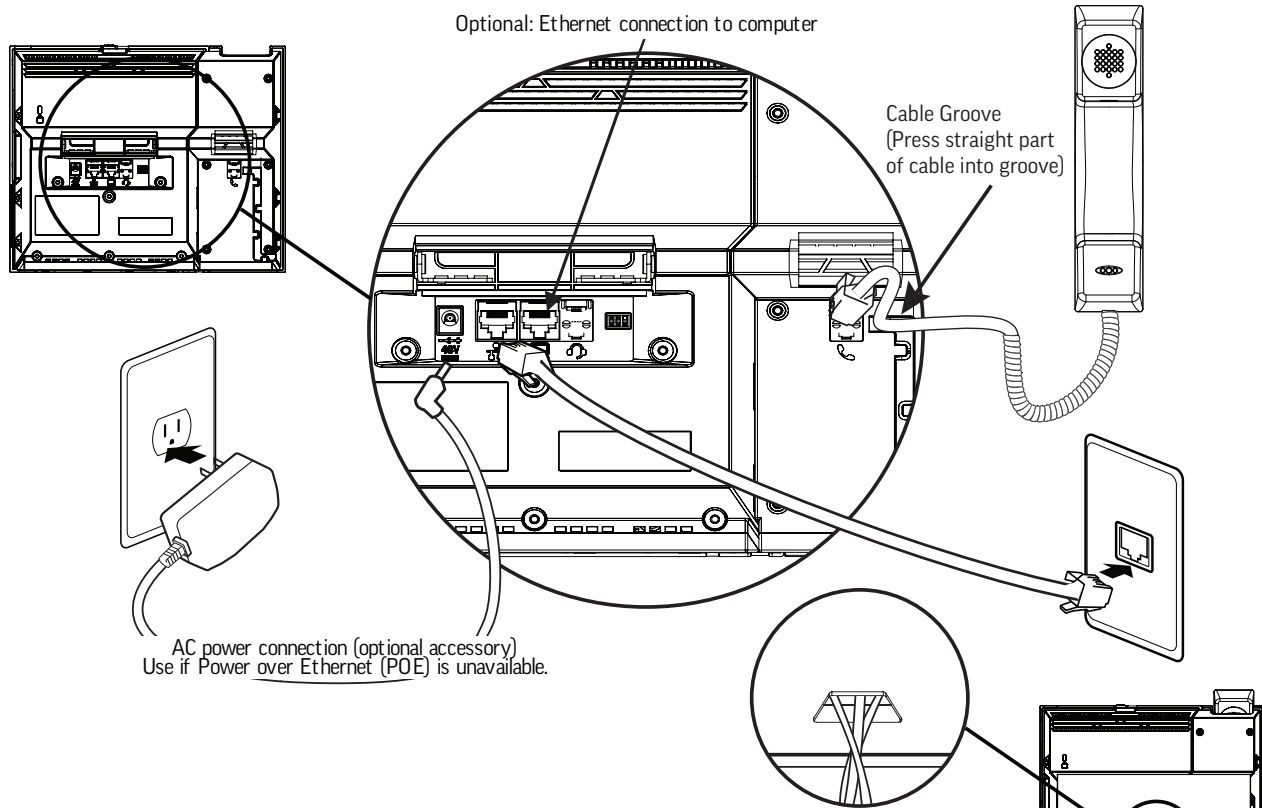


\*Icon displays only when the phone is powered on and the feature is available. Icon may vary (📞 | 📞).

\*\*Icon displays when the phone is powered on.

For more information, visit [epb.com/customer-support/business-support](http://epb.com/customer-support/business-support)  
or call 423-648-1500, option 2

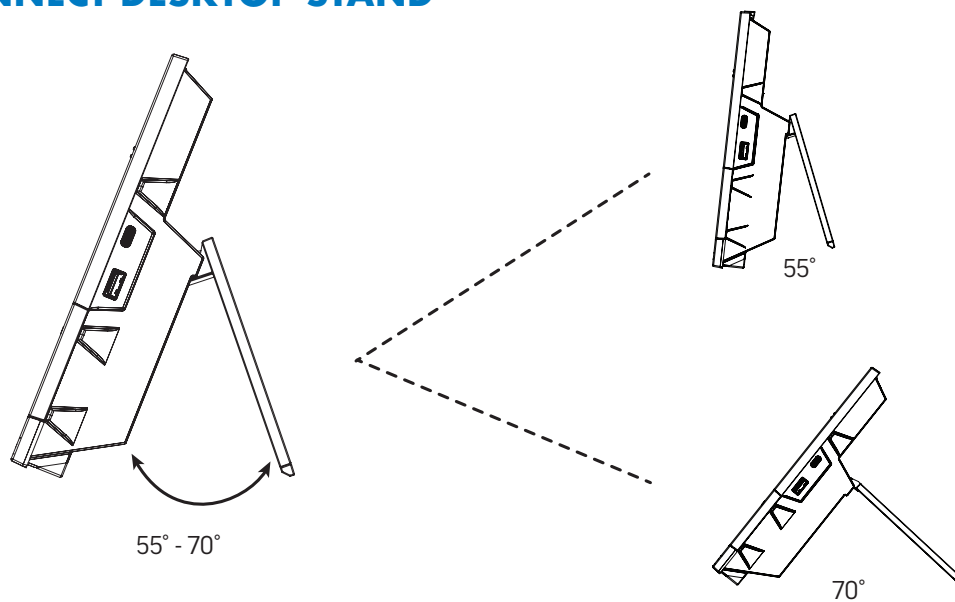
## CONNECT CABLES



Note: Use only the power supply designed for your phone to avoid damaging the phone.

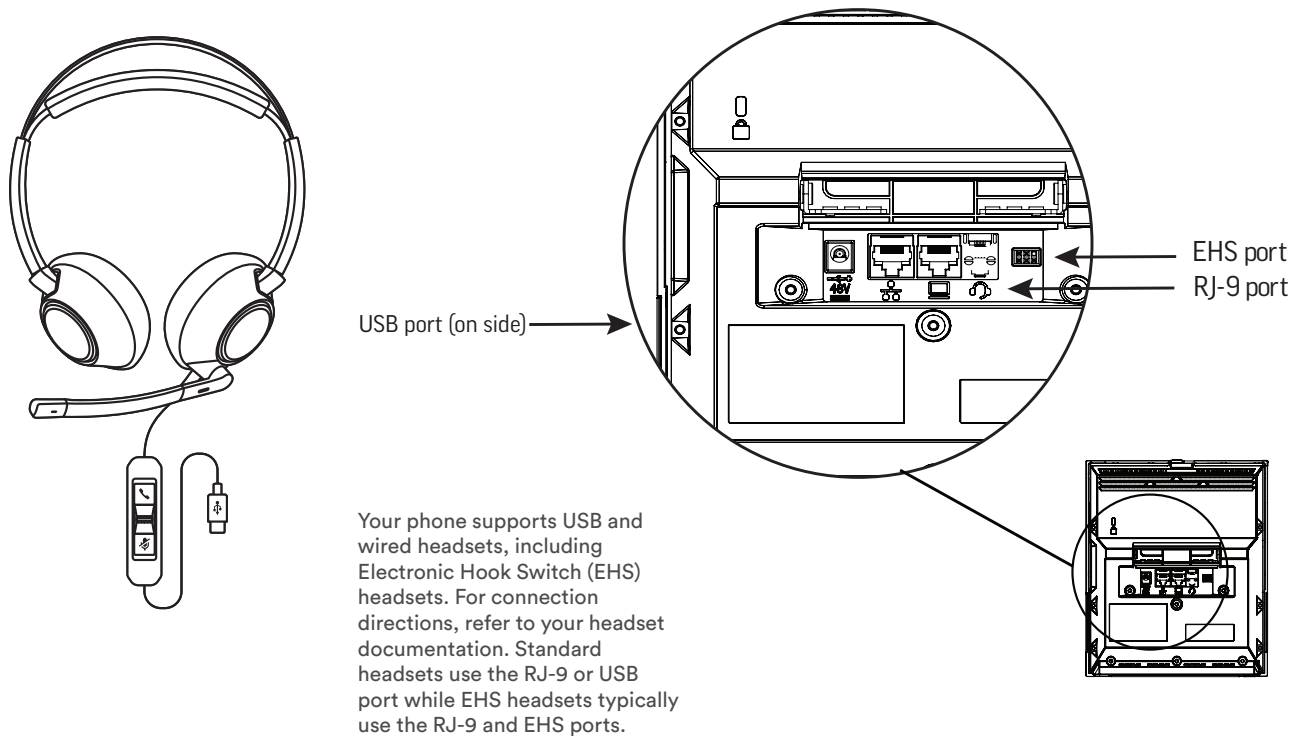
For proper cord management, put cables through the slot in the stand before connecting cables to the phone.

## CONNECT DESKTOP STAND



For more information, visit [epb.com/customer-support/business-support](http://epb.com/customer-support/business-support) or call 423-648-1500, option 2

## CONNECT OPTIONAL HEADSET



© 2019 Plantronics, Inc. All rights reserved. Poly, the propeller design, and the Poly logo are trademarks of Plantronics, Inc. All other trademarks are the property of their respective owners.

For more information, visit [epb.com/customer-support/business-support](http://epb.com/customer-support/business-support) or call **423-648-1500**, option 2